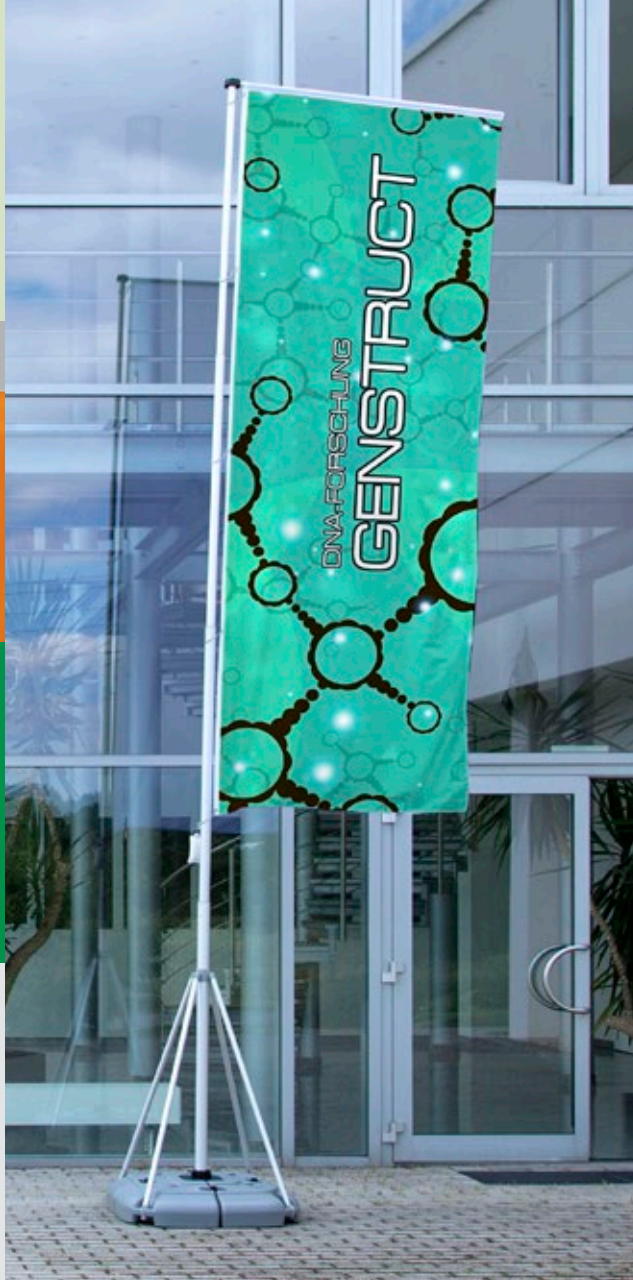


vispronet®



T-Pole® 100

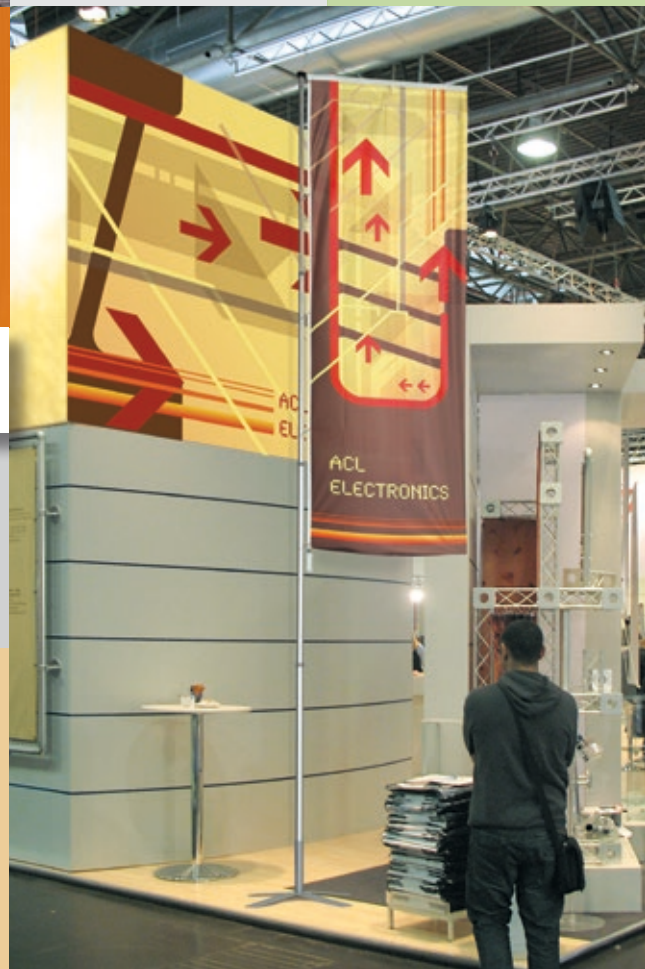
- max. height 5.40m
- Various ground fittings available



T-Pole® 200

- Continuously height adjustable from 2.20 to 6.00 m
- Variable exchangeable ground fittings
- Ideal for changing locations

www.sachsenfahnen.com



Portable Flagpoles

Those lightweight and portable flagpoles allow for a high level of flexibility, wherever you want to set them up. They are well applicable for either indoor use or short-term outdoor use. The integrated banner arm ensures that your flag is always completely unfolded, even if there is no wind or if you decide to present the flag indoors. They can be set up extremely fast which makes their handling very simple. Plenty of ground fittings are available as addition to secure the flagpoles.



T-Pole® 100

Height	· max. height approx. 5.40 m (Intermediate heights: 1.40 m/2.72 m/4.02 m)
Telescopic pole	· Silver-coloured anodised telescopic pole made of aluminium · 4-part telescopic pole, height adjustable in 4 levels · Diameter flagpole 55 mm/47.5 mm/41 mm/34 mm · Interlocks using spring buttons
Banner arm	· Single arm · Aluminium, silver-coloured anodised · 360° rotating · Length 120 cm, Diameter 20 mm
Flag size	· max. 120 x 400 cm
Application	· Up to wind force 4 (max. 28 km/h; 17 mph); depends on the ground fitting chosen · Temporary outdoor use only



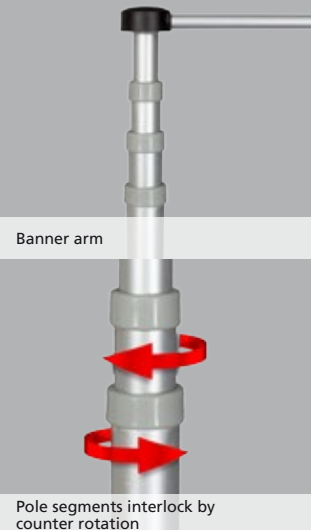
Banner arm

Interlocks using spring buttons



T-Pole® 200

Height	· Continuously height adjustable from 2.20 to 6.00 m
Telescopic pole	· Silver-coloured anodised telescopic pole made of aluminium · 4-part telescopic pole, continuously height adjustable · Diameter flagpole 55 mm/49 mm/42 mm/36 mm · Interlocks by counter rotation
Banner arm	· Single arm · Aluminium, silver-coloured anodised · 360° rotating · Length 120 cm, Diameter 20 mm
Flag size	· max. 120 x 400 cm
Application	· Up to wind force 4 (max. 28 km/h; 17 mph); depends on the ground fitting chosen · Temporary outdoor use only



Banner arm

Pole segments interlock by counter rotation

Ground fittings



Water-fillable Base

- Plastic, silver-gray, transport bag included in delivery
- Size (W x D x H): 80 x 80 x 20 cm, 4-part
- Weight: 7.5 kg, Capacity: approx. 70 l of water
- Indoor and outdoor use



Crossbar Base Ø 110 cm/3.3 kg

- Aluminium profiles with plastic brackets
- Collapsible
- Transport bag included in delivery
- Indoor use, outdoor use only with additional weight (with weight bag for water filling, 50 l)



Base Plate 55x55 cm/19.7 kg

- Powder-coated steel, silver-gray
- Indoor use, outdoor use only with additional weight (with weight bag for water filling, 50 l)



Tube Base

- Powder-coated steel, silver-gray
- Size: 45 x 65 cm
- Weight: 4.8 kg
- Indoor and outdoor use, for use only with additional weight



Ground Sleeve

- Steel, black coated
- Length: 40 cm
- Weight: approx. 1.5 kg
- Outdoor use



Tube Base Economy

- Powder-coated steel, silver-gray
- Size: 58 x 24 cm
- Weight: 3.5 kg
- Indoor and outdoor use, for use only with additional weight



Crossbar Base Ø 100 cm/17.0 kg with pole sleeve Ø 56 mm

- Powder-coated steel, silver-gray
- Weight approx. 17.0 kg
- Indoor use, outdoor use only with additional weight (with weight bag for water filling, 50 l)

Accessory



Weight Bag, 50 l

- for water filling, capacity 50 l
- Size: 75 x 75 x 12 cm

As we are constantly developing our products we reserve the right of changing technical issues and dimensional deviations.